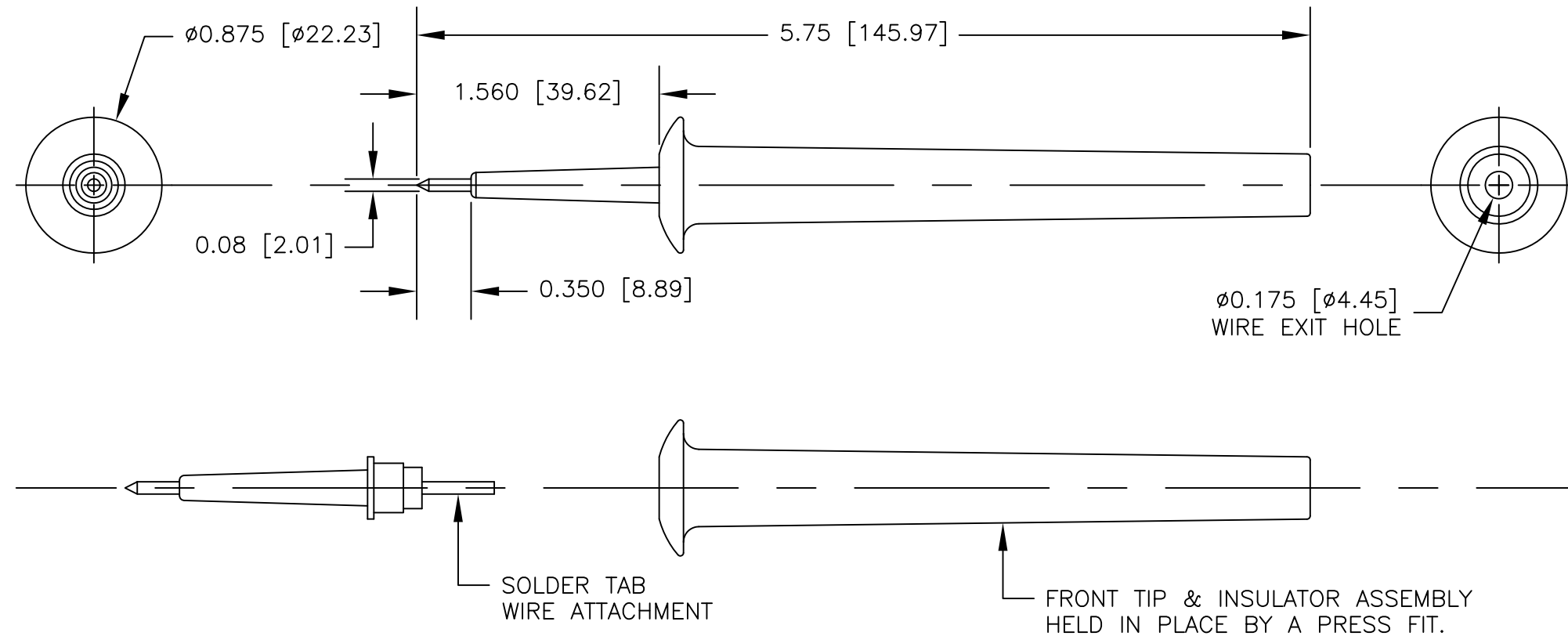


NOTES: UNLESS OTHERWISE SPECIFIED

1. CONSTRUCTION:  
HOUSING: MOLDED NYLON. AVAILABLE IN BLACK,  
RED, GREEN OR BLUE.  
CONTACT TIP: NICKEL PLATED STEEL.
2. PERFORMANCE:  
MAXIMUM CURRENT: 10 AMPS  
MAXIMUM VOLTAGE: 1000 V  
MAXIMUM TEMPERATURE: 200°F (93°C)

REVISIONS			
LTR	DESCRIPTION	DATE	APPROVED



		UNLESS OTHERWISE SPECIFIED DIMENSIONS ARE IN INCHES TOLERANCES ARE: FRACTIONS DECIMALS ANGLES ± .XX ± ± .XXX ±	CONTRACT NO.		<b>E-Z-HOOK</b> DIVISION OF TEKTEST INC. ARCADIA, CA 91006 U.S.A.	
			APPROVALS	DATE		
		MATERIAL SEE NOTE.	DRAWN	R.L.	3/15	
			APPROVED BY			
		FINISH SEE NOTE.			DESCRIPTION STD PIN TIP PROBE	
NEXT ASSY	USED ON		SIZE	CODE IDENT NO.	DRAWING NO.	REV.
APPLICATION		DO NOT SCALE DRAWING	B	08505	30	
			SCALE	1:1	SHEET 1 OF 1	