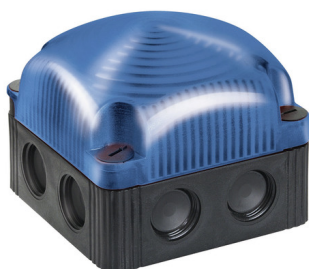


FlexSQUARE / LED Permanent Beacon 853

LED Perm. Beacon BWM 48VAC BU



Part No.: 853.500.66



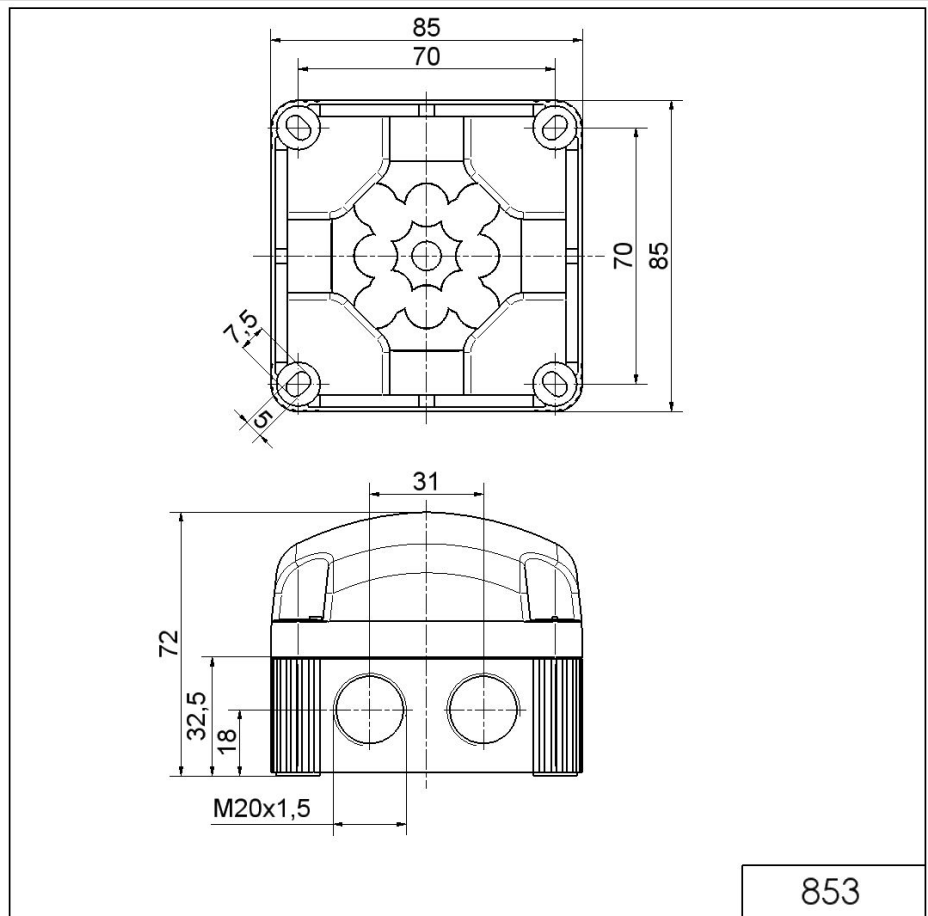
| MECHANICAL DATA | |
|------------------------------|--------------------------------|
| Length | 85 mm |
| Width | 85 mm |
| Height | 72 mm |
| Materials | PC PP-GF |
| Dome colour | Blue |
| Housing colour | Black |
| Protection category | IP66 IP67 |
| Connection | Screw terminals |
| cross-sectional area maximum | 1,50mm ² / 16AWG |
| Cable entry | Membrane grommet |
| Cable entry minimum | d = 1 mm d = 6 mm |
| Cable entry maximum | d = 12 mm d = 9 mm |
| Type of fixing | Base mounting Wall mounting |
| Working temperature minimum | -25°C |
| Working temperature maximum | +50°C |
| Weight with packaging | 163 g |
| Product weight | 136 g |
| ELECTRICAL DATA | |
| Operating voltage | 48V |
| Operating voltage type | AC |
| Operating voltage frequency | 50Hz |
| Operating voltage tolerance | +/- 10% |
| Rated operational voltage | 48 VAC |
| Rated operational current | 35 mA |
| Rated inrush current | 200 mA |
| Protection class | Protection class 2 |
| Pollution degree | 3 |
| OPTICAL DATA | |
| Light source | LED |
| Light colour | Blue |
| Optical signal image | Permanent |
| Service life optical | 50,000 h maximum |

! For additional installation and mounting information, refer to the appropriate user guide at www.werma.com. This printed copy is for information only and is subject to alteration.

FlexSQUARE / LED Permanent Beacon 853
LED Perm. Beacon BWM 48VAC BU

| APPROVAL DATA | |
|-----------------------------|-----|
| Conforms with CE | Yes |
| WEEE | Yes |
| Conform with ATEX-directive | No |
| Conforms with CCC | No |
| Conforms with UL | No |
| Conforms with FCC | No |
| Conforms with IC | No |
| EAC certificate available | Yes |
| Conforms with AS-I | No |
| ICAO Certification | No |
| Conforms with GL | No |
| Conforms with RoHS CN | No |
| Conforms with VdS | No |

DRAWING



853



For additional installation and mounting information, refer to the appropriate user guide at www.werma.com. This printed copy is for information only and is subject to alteration.