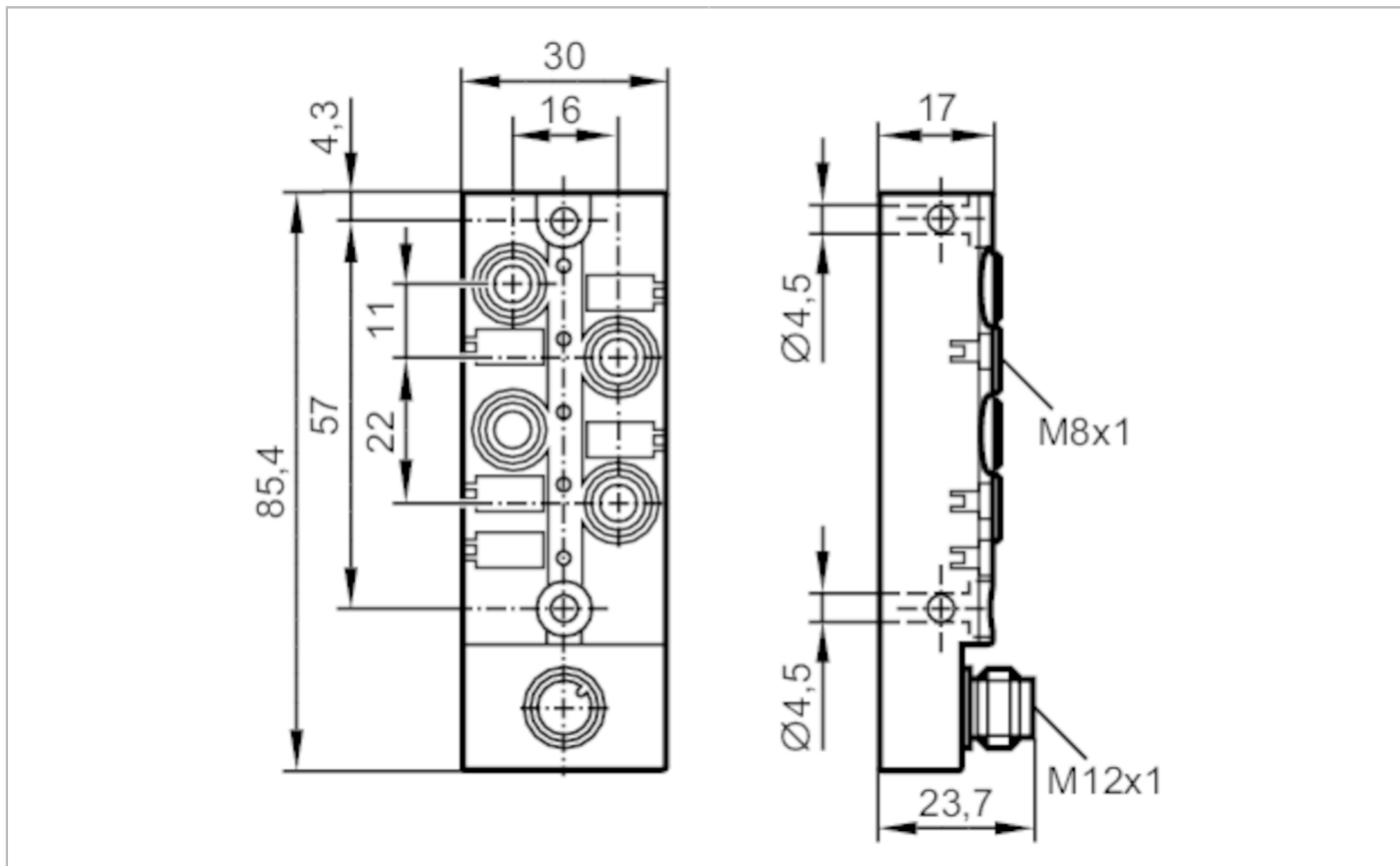


EBC050



Splitter box

ZDO4F035MSS0000---STGH080MSS



Application	
Special feature	Gold-plated contacts
Electrical data	
Operating voltage [V]	10...30 DC; ("supply class 2" to cULus)
Protection class	III
Max. current load per module/slot [A]	2
Max. current load total [A]	2
Outputs	
Electrical design	PNP
Operating conditions	
Ambient temperature [°C]	-25...80
Ambient temperature (moving) [°C]	-5...60
Protection	IP 67; IP 68; (1 m / 7 days)

EBC050



Splitter box

ZDO4F035MSS0000---STGH080MSS

Mechanical data

Weight	[g]	88.5
Dimensions	[mm]	23.7 x 30 x 85.4
Materials		PBT-GF20; brass nickel-plated
Moulded-body material		PBT-GF 20 / brass, nickel-plated
Number of ports splitter box		4
Connector type		M8

Displays / operating elements

Display	switching status	4 x LED, yellow
	operation	1 x LED, green

Accessories

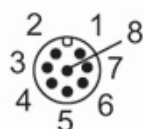
Accessories (optional)	DIN rail adapter:, E73006
	Protective cap: M8, E73005

Remarks

Pack quantity	1 pcs.
---------------	--------

Electrical connection - Connection

Connector: 1 x M12; Moulded body: PBT-GF 20 / brass, nickel-plated; Contacts: gold-plated



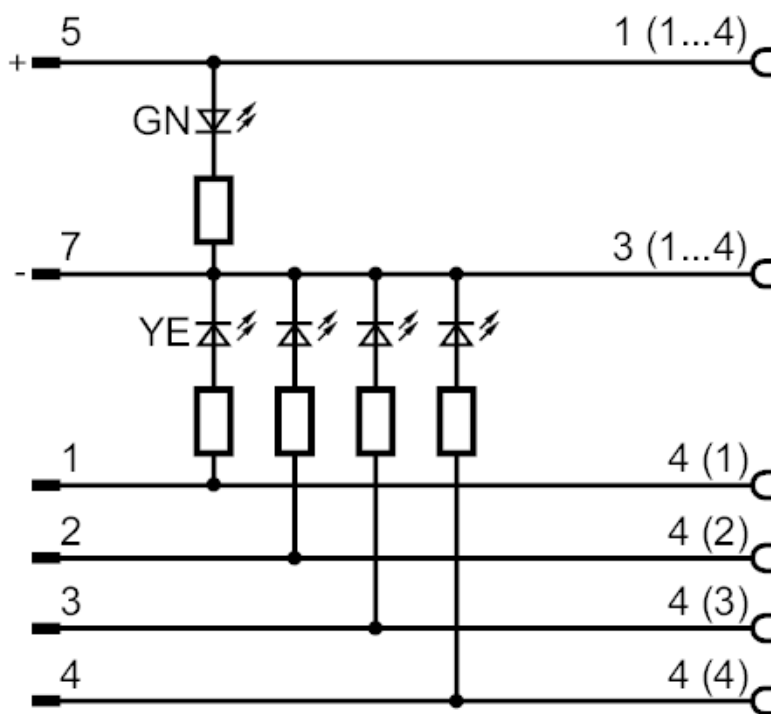
EBC050



Splitter box

ZDO4F035MSS0000---STGH080MSS

Connection



Electrical connection - slot

Connector: 4 x M8; Moulded body: PBT-GF 20 / brass, nickel-plated; Contacts: gold-plated

