

**TITLE
24**
COMPLIANCE



PROJECT INFORMATION

Project Name _____

Catalog No. _____

Date _____



LUXSTATLS

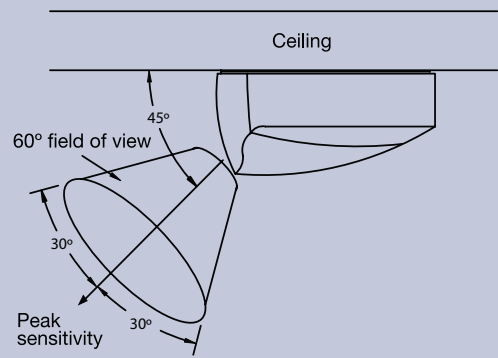
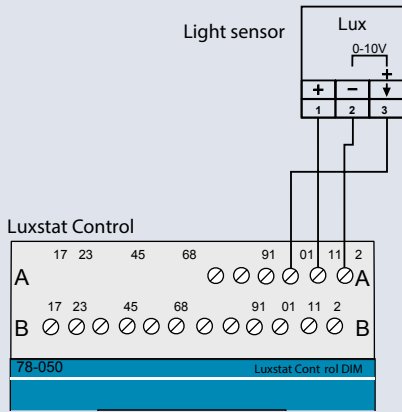
The Luxstat Light Sensor by Servodan provides the necessary daylight-level information to the Luxstat daylight harvesting control modules. Using a photodiode element, this sensor continuously measures daylight levels and sends the information to the selected Luxstat daylight harvesting control module. In order to operate as a true Open Loop controller, the sensor must be positioned to see only daylight (no artificial light). You select the applicable foot-candle range by using a jumper beneath the front cover.

PRODUCT FEATURES

- Daylight sensor for Luxstat Daylight Harvesting System
- Architecturally attractive design
- Indoor and outdoor versions
- Open loop operation
- Foot-candle range: 3-6,000 fc
- Mounts vertically or horizontally
- Color coded, plug-and-play installation
- UL and cUL listed
- California Title 24 Compliant
- Five-year limited warranty
- Low voltage device: 24 Vdc



HUBBELL
Control Solutions



General Specifications

Electrical	Four jumper-selectable foot-candle ranges: .03-30FC; 3-300FC; 30-3,000FC; 60-6,000FC 24VDC Low Voltage Class 2 Device 3-conductor 22 AWG twisted cable—equal to Belden 8443
Construction	Protective hard plastic cover and housing
Dimension	2" diameter x 1.2" height (50.8 diameter x 30.5mm height)
Certifications	UL and cUL listed
Warranty	Five years

Ordering Information

MODEL	
LUXSTATLS	Luxstat Light Sensor - Indoor
LUXSTATLSO	Luxstat Light Sensor - Outdoor



HUBBELL
Control Solutions