



Project Name _____

Catalog No. _____ Date _____

The Low Voltage dimmable switch station will provide manual control and 0-10V dimming for stand-alone applications. The Low Voltage dimmable switch station will also provide the customer with the opportunity to bring an already Hubbell Control Solutions (HCS) project that utilizes stand-alone control packs and sensors to upgrade and install LED dimmable fixtures.

Momentary, latching and a combination version containing a momentary and latching button provide flexibility to be used with our occupancy or vacancy control packs or a combination of both types.

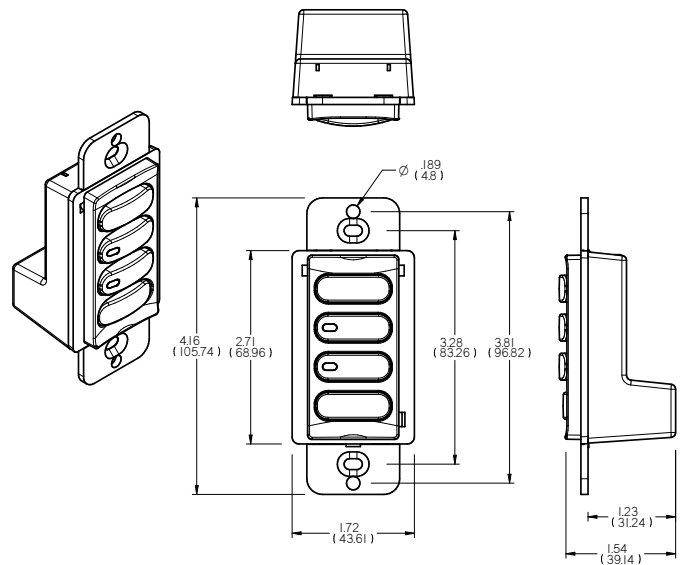
Product Features

- Attractive, architecturally-pleasing decorator style design
- Gang-able with other decorator type devices
- Momentary version
- Latching version
- Combination Momentary and Latching version
- Works with all HCS Control and Auxiliary packs
- Pilot light function supported
- Provides 0-10V dimming control
- Low Voltage device: 24VDC
- Five-year limited warranty

Certifications



Dimensions



Ordering Information

LVSD	—		—		
MODEL		SWITCH TYPE		COLORS	
LVSD	Low Voltage Switch, Dimmable	M-3	Momentary 3 Button	WH	White
		L-3	Latching 3 Button	IV	Ivory
		ML-4	Momentary/Latching 4 Button	LA	Light Almond
				GY	Gray

Wiring Diagrams

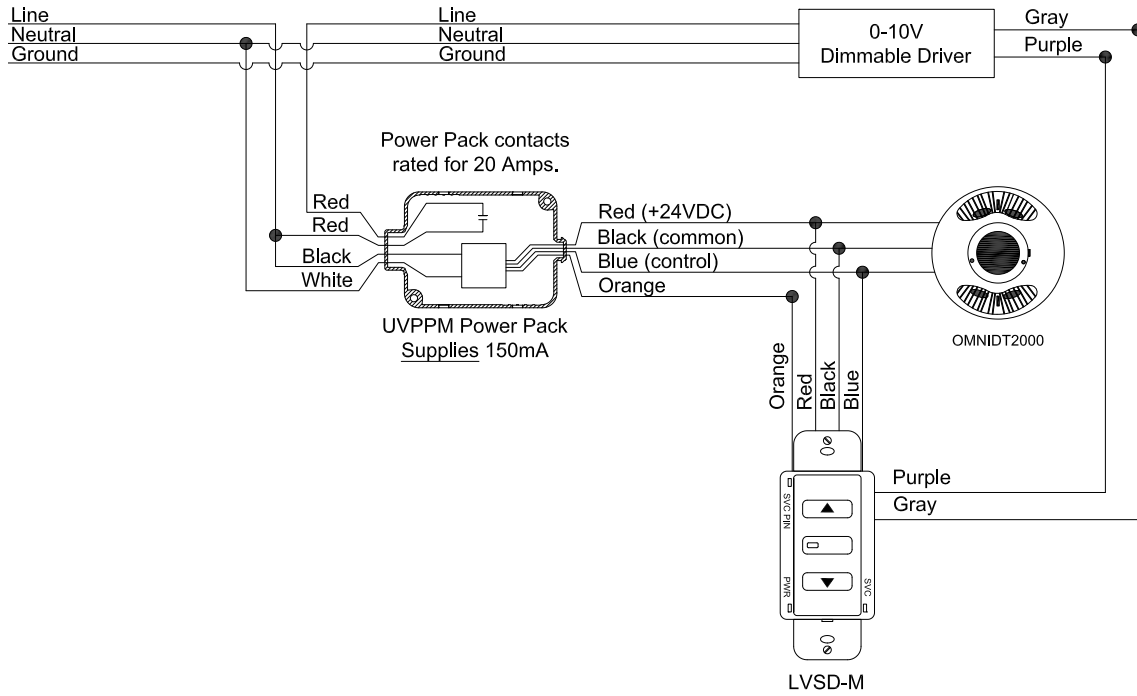


Figure 1
Low Voltage Wall Switch with 0-10V Dimming Momentary Configuration Wiring Diagram
(Vacancy Application)

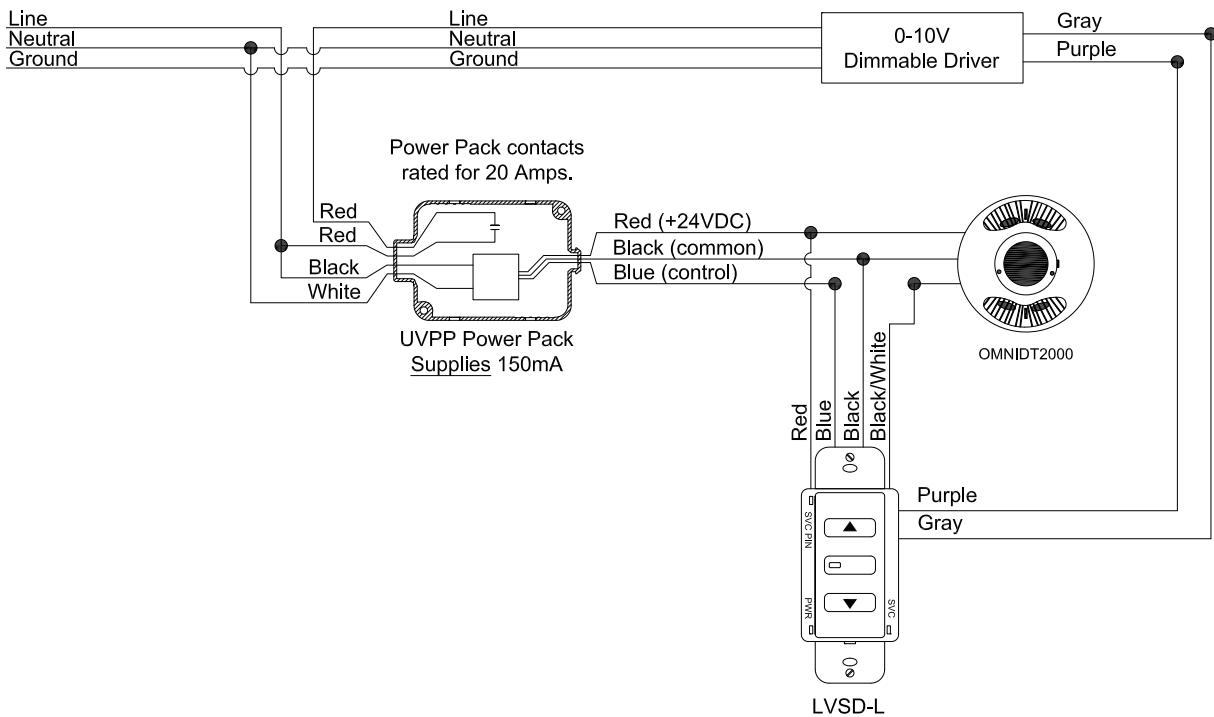


Figure 2
Low Voltage Wall Switch 0-10V with Dimming Latching Configuration Wiring Diagram
(Occupancy Application)

Wiring Diagrams

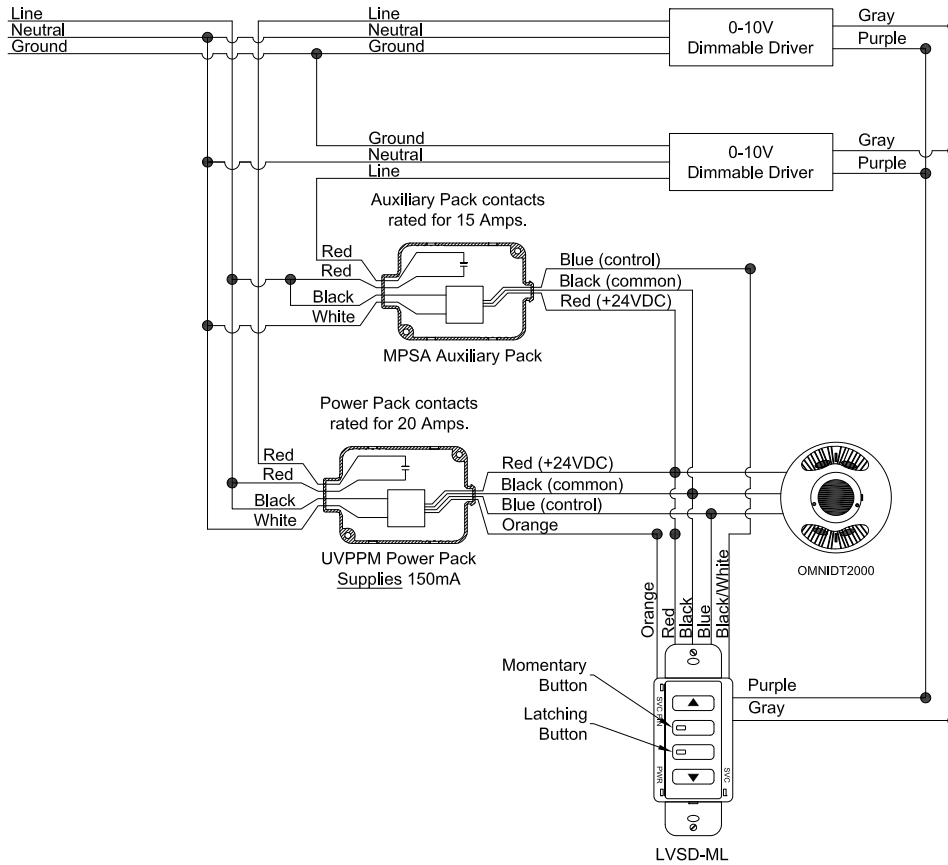


Figure 3
Low Voltage Wall Switch with 0-10V Dimming Combination (Momentary and Latching)
Configuration Wiring Diagram
(Combination Vacancy and Occupancy Application)

General Specifications

Electrical Ratings	Each switch: 100mA@30VDC Max Each Switch: 100mA@30VDC, to be used with HCS control packs
Configurations	Each pilot LED: 18-30VDC, internal 2.2ohm, ½ Watt resistor 3 and 4 buttons, with and without pilot lights
Operating Environment	Indoor use only
Operating Temperature	32°F to 122°F (0°C to 50°C)
Relative Humidity	10% - 90% (non-condensing)
Construction	Housing – Rugged, high-impact, injection-molded plastic Color-coded leads
Dimensions	1.8"W x 4.25"H x 1.56"D (47.75mm x 107.95mm x 39.63mm)
Weight	3.0 oz [85.0g]
Color	White, Ivory, Light Almond, Gray
Mounting	Single-gang NEMA-style switch box (average switch box)
Certifications	UL60730-1, CSA E60730-1:15
Warranty	Five-year limited