

Interface card - 1771-CARDEDGE18/D25F - 2908758

Please be informed that the data shown in this PDF Document is generated from our Online Catalog. Please find the complete data in the user's documentation. Our General Terms of Use for Downloads are valid (<http://phoenixcontact.com/download>)




Allen-Bradley® PLC-5 migration board used to convert 1771 I/O and pre-wired 18-position swing arm (1771-WE, 1771-WF, or 1771-WI) to 25-position (female) D-SUB socket

Your advantages

- ✓ Durable PCB designed to easily mount within 1771 chassis
- ✓ Card edge connection with locking tab
- ✓ Quick cable connection via D-SUB 25 female connector



Key Commercial Data

Packing unit	1 pc
GTIN	 4 0 5 5 6 2 6 3 6 5 7 4 9
GTIN	4055626365749

Technical data

Dimensions

Width	254 mm
Height	153.2 mm
Depth	21.3 mm

Ambient conditions

Ambient temperature (operation)	-40 °C ... 70 °C
Ambient temperature (storage/transport)	-40 °C ... 70 °C

General

Nominal voltage U_N	max. 125 V AC/DC
Max. perm. current (per branch)	2 A
Number of positions	18
Status display	No

Connection data

Interface card - 1771-CARDEDGE18/D25F - 2908758

Technical data

Connection data

Connection name	PCB edge contact
Number of positions	18
Connection name	PCB edge contact
Number of positions	18

Supported controller

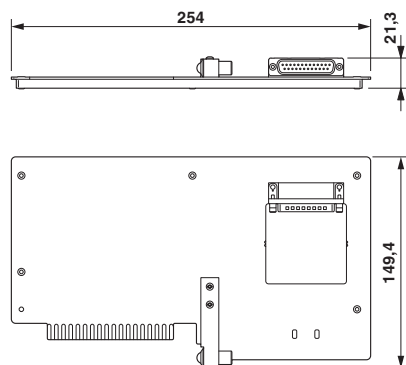
Controller	Allen-Bradley® 1771 (PLC5)
- suitable I/O card	1771-IL
	1771-IR
	1771-IXE
	1771-IXHR
	1771-OQ
	1771-QD
	1771-QDC
	1771-QI

Environmental Product Compliance

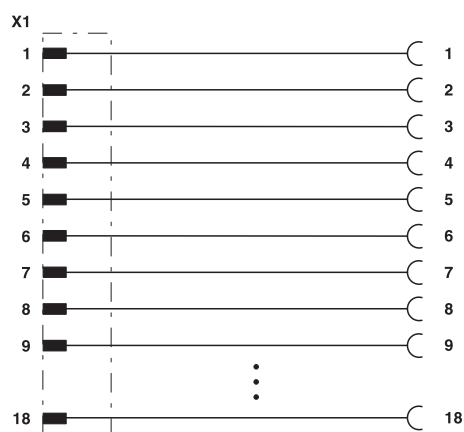
REACH SVHC	Lead 7439-92-1
China RoHS	Environmentally Friendly Use Period = 50 years
	For details about hazardous substances go to tab "Downloads", Category "Manufacturer's declaration"

Drawings

Dimensional drawing



Circuit diagram



Classifications

eCI@ss

eCI@ss 10.0.1	27141152
eCI@ss 11.0	27141152

Interface card - 1771-CARDEDGE18/D25F - 2908758

Classifications

eCl@ss

eCl@ss 4.0	27250313
eCl@ss 4.1	27250313
eCl@ss 5.0	27250313
eCl@ss 5.1	27250313
eCl@ss 7.0	27141152
eCl@ss 9.0	27141152

ETIM

ETIM 4.0	EC002780
ETIM 6.0	EC002780
ETIM 7.0	EC002780

UNSPSC

UNSPSC 18.0	39121432
UNSPSC 19.0	39121432
UNSPSC 20.0	39121432
UNSPSC 21.0	39121432

Accessories

Accessories

System cable

Cable - CABLE-D-25SUB/M/OE/0,25/S/0,5M - 2926506



Assembled shielded round cable; connection 1: Single wires (25-position) (The wires are marked and fitted with ferrules. The braided shield is routed to a separate cable end.); connection 2: D-SUB pin strip (1x 25-position); cable length: 0.5 m

Cable - CABLE-D-25SUB/M/OE/0,25/S/1,0M - 2926519



Assembled shielded round cable; connection 1: Single wires (25-position) (The wires are marked and fitted with ferrules. The braided shield is routed to a separate cable end.); connection 2: D-SUB pin strip (1x 25-position); cable length: 1 m

Interface card - 1771-CARDEDGE18/D25F - 2908758

Accessories

Cable - CABLE-D-25SUB/M/OE/0,25/S/1,5M - 2926522



Assembled shielded round cable; connection 1: Single wires (25-position) (The wires are marked and fitted with ferrules. The braided shield is routed to a separate cable end.); connection 2: D-SUB pin strip (1x 25-position); cable length: 1.5 m

Cable - CABLE-D-25SUB/M/OE/0,25/S/2,0M - 2926535



Assembled shielded round cable; connection 1: Single wires (25-position) (The wires are marked and fitted with ferrules. The braided shield is routed to a separate cable end.); connection 2: D-SUB pin strip (1x 25-position); cable length: 2 m

Cable - CABLE-D-25SUB/M/OE/0,25/S/3,0M - 2926548



Assembled shielded round cable; connection 1: Single wires (25-position) (The wires are marked and fitted with ferrules. The braided shield is routed to a separate cable end.); connection 2: D-SUB pin strip (1x 25-position); cable length: 3 m

Cable - CABLE-D-25SUB/M/OE/0,25/S/4,0M - 2926551



Assembled shielded round cable; connection 1: Single wires (25-position) (The wires are marked and fitted with ferrules. The braided shield is routed to a separate cable end.); connection 2: D-SUB pin strip (1x 25-position); cable length: 4 m

Cable - CABLE-D-25SUB/M/OE/0,25/S/6,0M - 2926564



Assembled shielded round cable; connection 1: Single wires (25-position) (The wires are marked and fitted with ferrules. The braided shield is routed to a separate cable end.); connection 2: D-SUB pin strip (1x 25-position); cable length: 6 m

Interface card - 1771-CARDEDGE18/D25F - 2908758

Accessories

Cable - CABLE-D-25SUB-M-OE-0,25-S/... - 2900911



Assembled shielded round cable; connection 1: Single wires (25-position) (The wires are marked and fitted with ferrules. The braided shield is routed to a separate cable end.); connection 2: D-SUB pin strip (1x 25-position); cable length: variable

Phoenix Contact 2021 © - all rights reserved
<http://www.phoenixcontact.com>

PHOENIX CONTACT GmbH & Co. KG
Flachsmarktstr. 8
32825 Blomberg
Germany
Tel. +49 5235 300
Fax +49 5235 3 41200
<http://www.phoenixcontact.com>